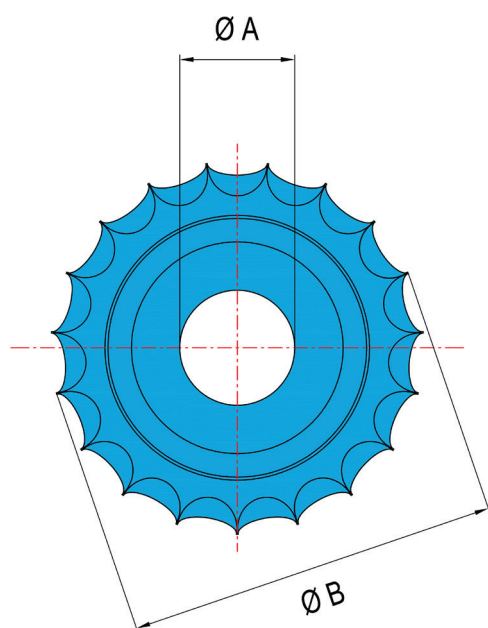


TORMARINE

Taglia cime Rope cutter

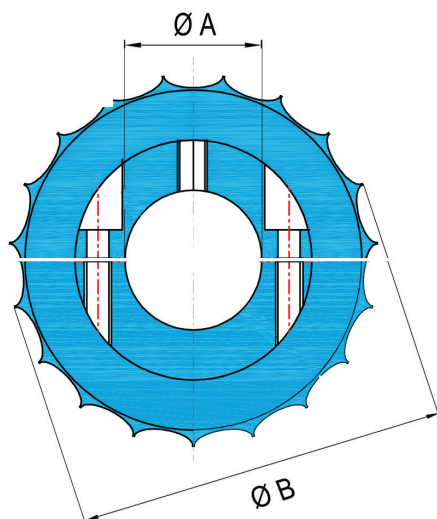
Materiale: Acciaio AISI 316 **Material:** Stainless steel AISI 316



| Cod. | ØA Asse mm ØA Shaft mm | ØB Esterno ØB External mm |
|---------|---------------------------|------------------------------|
| 5225080 | 25 | 80 |
| 5230080 | 30 | |
| 5235100 | 35 | 100 |
| 5240100 | 40 | |
| 5245120 | 45 | 120 |
| 5250120 | 50 | |

Taglia cime a morsetto (due pezzi) Rope cutter clamp

Materiale: Acciaio AISI 316 **Material:** Stainless steel AISI 316



| Cod. | ØA Asse mm ØA Shaft mm | ØB Esterno ØB External mm |
|----------|---------------------------|------------------------------|
| 5225080T | 25 | 80 |
| 5230080T | 30 | |
| 5235100T | 35 | 100 |
| 5240100T | 40 | |
| 5245120T | 45 | 120 |
| 5250120T | 50 | |